

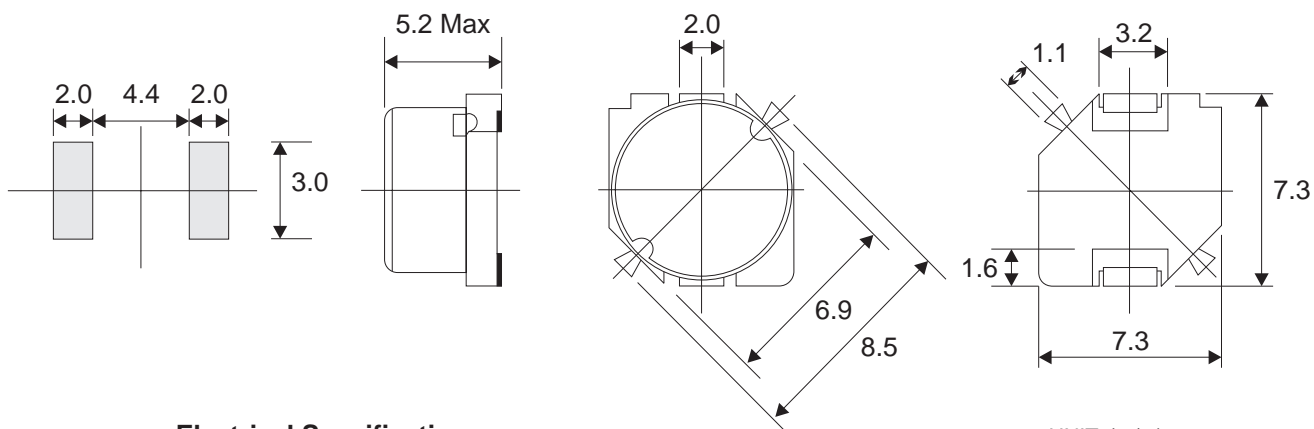


Surface Mount Inductors

D353 Series

Features

- Low profile (7.3mm square, 5.2mm high)
- Suitable for large current.
- Available in magnetically shielded or unshielded version.
- Available on tape and reel for automatic insertion.
- Ideal for a variety of DC-DC converter inductor applications.



Electrical Specifications

UNIT: (m/m)

PART NUMBER	INDUCTANCE L (μH) ±20%	L TEST FREQUENCY (KHz)	DC RESISTANCE (Ω) MAX	RATED DC CURRENT (A) MAX
D353-1R0M	1.0	100	0.020	2.80
D353-1R5M	1.5	100	0.024	2.59
D353-2R2M	2.2	100	0.028	2.38
D353-3R3M	3.3	100	0.034	2.14
D353-4R7M	4.7	100	0.039	1.96
D353-6R8M	6.8	100	0.050	1.79
D353-100M	10.0	100	0.055	1.63
D353-120M	12.0	100	0.073	1.42
D353-150M	15.0	100	0.081	1.33
D353-180M	18.0	100	0.102	1.15
D353-220M	22.0	100	0.115	1.09
D353-270M	27.0	100	0.159	0.91
D353-330M	33.0	100	0.182	0.84
D353-390M	39.0	100	0.199	0.80
D353-470M	47.0	100	0.221	0.75
D353-560M	56.0	100	0.306	0.64
D353-680M	68.0	100	0.345	0.60
D353-820M	82.0	100	0.390	0.57
D353-101M	100.0	100	0.432	0.50
D353-121M	120.0	100	0.440	0.47
D353-151M	150.0	100	0.730	0.40
D353-181M	180.0	100	0.780	0.39
D353-221M	220.0	100	0.940	0.33
D353-271M	270.0	100	1.250	0.31
D353-331M	330.0	100	1.400	0.27
D353-391M	390.0	100	1.520	0.27
D353-471M	470.0	100	1.700	0.25
D353-561M	560.0	100	2.390	0.22

*Maximum allowable current is DC current which causes 10% inductance reduction of the initial value, or coil temperature to rise by 40°C, whichever is smaller. (Reference ambient temperature 20°C)